

Plunger Pumps

FEATURING

MANIFOLD: High strength forged brass or nickel plated for long term use.

BOLTS: Eight 10mm grade 8.8.

PLUNGERS: A special thick solid ceramic for long life, strong durability and more resilience.

CRANKCASE: Precision die-cast, large cooling fins and anodized for maximum heat dissipation. Bayonet style sight glass located in the rear and side cover, fill and side and bottom drain plugs.

BEARINGS: Oversized premium tapered roller bearing for maximum life and load distribution.

BEARINGS SUPPORTS: Precision die-cast and machined to assure concentricity and alignment.

VALVES, SEATS, AND SPRINGS: Stainless steel with specially designed Ultra Form cages to provide long life and positive seating.

SEALS AND U-PACKINGS: Continuously lubricating for extended life. Triple lip oil seal for assured crankcase seal.

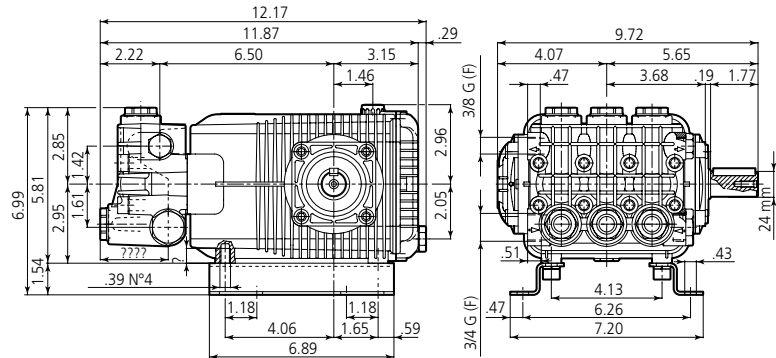
PLUNGER RODS: High strength stainless steel, for heavy duty use.

CONNECTING RODS: Two-piece special alloy aluminum based material, oversized for maximum strength, load disbursement, and long life. Heavy pin area construction, for added load strength.

DIMENSIONS



XWA N version Solid shaft pump ø 24 mm



SPECIFICATIONS

MODEL	MAX GPM	MAX LMP	MAX PSI	MAX BAR	POWER EBHP	BORE DIA MM	STROKE MM	CRANKSHAFT ID STAMP	WEIGHT LBS.
XWA4G20N	4.0	15.1	2000	140	5.5	20	10.0	6	34
XWA4G30N	4.0	15.1	3000	205	7.5	20	10.0	6	34
XWA4G40N	4.0	15.1	4000	275	11.0	20	13.8	6	34
XWA5.5G22N	5.5	20.5	2200	150	7.5	20	13.8	4	34
XWA5.5G30N	5.5	20.5	3000	200	10.0	20	13.8	4	34
XWA5.5G40N	5.5	20.5	4000	275	14.0	20	13.8	4	34
XWA7G22N	7.0	25.5	2200	150	10.0	20	17.2	2	34
XWA7G32N	7.0	25.5	3200	220	14.0	20	17.2	2	34
XWA7G35N	7.0	25.5	3500	240	15.0	20	17.2	2	34
XWA7G40N	7.0	25.5	4000	275	17.0	20	17.2	2	34
XWA8G19N	8.0	30.2	1900	130	10.0	20	19.8	1	34
XWA8G29N	8.0	30.2	2900	200	15.0	20	19.8	1	34
XWA8G35N	8.0	30.2	3500	240	18.0	20	19.8	1	34
XWA9G16N	9.0	34.0	1600	110	10.0	22	19.8	1	34
XWA9G24N	9.0	34.0	2400	170	15.0	22	19.8	1	34

Oil Capacity = 32oz

Maximum Fluid Temperature = 140° F

Inlet Thread = 3/4" F

Discharge Thread = 3/8" F

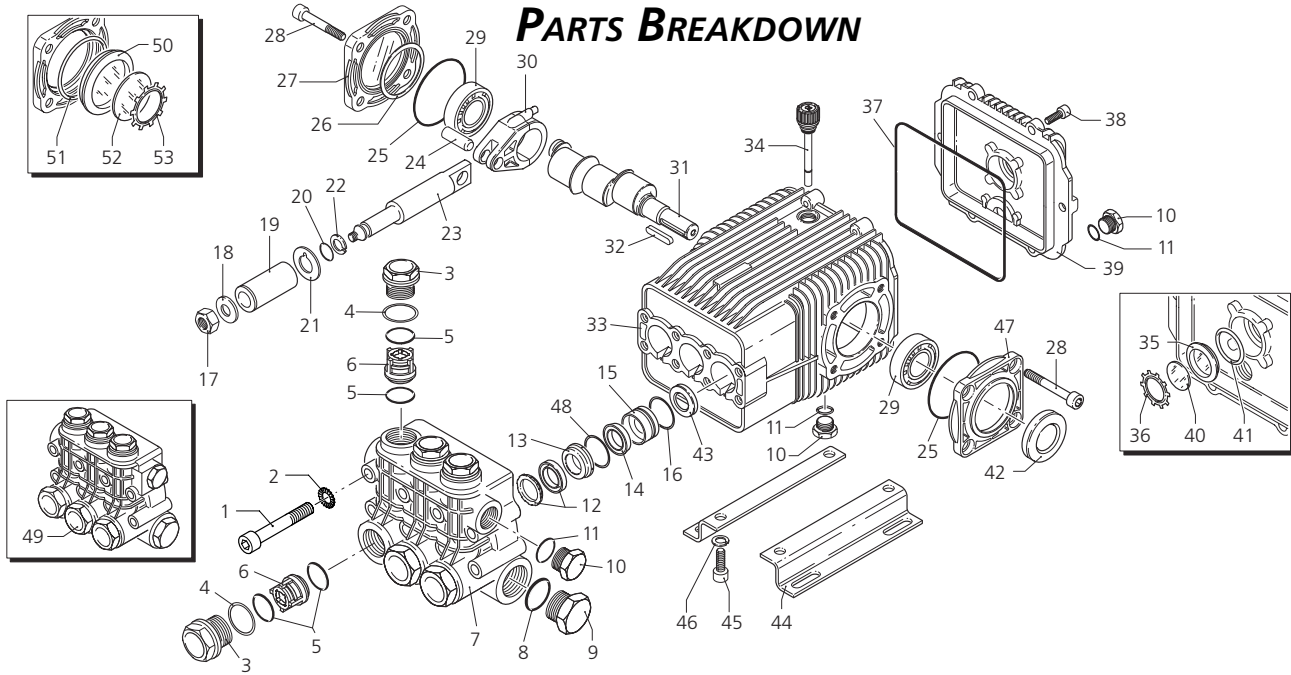
Torque Specifications Inch pounds (ft. lbs)

HEAD	PISTON NUT	REAR COVER	SIDE COVER	VALVE CAP	CON RODS
442 (37)	106 (8.8)	92 (7.7)	217 (18)	602 (50)	89 (7.5)

SPECIAL NOTE: Use AR64516 Oil. First change oil after 50 hours of use. Then every 500 hours. This oil is specially formulated to provide correct lubrication properties for our pumps. **No** other oil is factory approved for these pumps.



PARTS BREAKDOWN



Pos.	Code	Description	Qty.	Pos.	Code	Description	Qty.	Legend			
1	1940260	Screw	8	31	1940530	Crankshaft	○ 1	Ø 20	Ø 20	Ø 20	Ø 22
2	650530	Washer	8	31	1940190	Crankshaft	● 1	For ○	For □	For ▼	For ◆
3	1940140	Plug	6	31	1940170	Crankshaft	□ 1	XWA4G20	XWA7G22	XWA8G19	XWA9G16
4	1940150	Ring	6	31	1940160	Crankshaft	▼◆ 1	XWA4G30	XWA7G32	XWA8G29	XWA9G24
5	1140450	O-Ring	12	32	620250	Key	1	XWA4G40	XWA7G35	XWA8G35	XWA9G30
6	1949050	Complete valve	6	33	1941330	Pump housing	1		XWA7G40		
7	1940021	Pump head	○□▼● 1	34	1140370	Oil cap	1	For ●			
	1941210	Pump head	◆ 1	35	1260250	Oil indicator	1	XWA5.5G22			
8	550350	O-Ring	1	36	1260430	Snap ring	1	XWA5.5G30			
9	1140300	Plug 3/4" G	1	37	1940410	O-Ring	1	XWA5.5G40			
10	1980740	Plug 3/8" G	3	38	1200430	Screw	6				
11	740290	O-Ring	3	39	1949010	Complete cover	1				
12	1940440	Gasket w/ring Ø20	○□▼● 3	40	1780690	Disc	1				
	1940270	Gasket w/ring Ø22	◆ 3	41	1140450	O-Ring	1				
13	1940430	Front piston guide Ø20	○□▼● 3	42	820680	Seal	1				
	1940200	Front piston guide Ø22	◆ 3	43	1940560	Seal	3				
14	1940470	Gasket Ø20	○□▼● 3	44	1940370	Base	2				
	1940480	Gasket Ø22	3	45	1940380	Screw	4				
15	1940450	Rear piston guide Ø20	○□▼● 3	46	200231	Washer	4				
	1940460	Rear piston guide Ø22	◆ 3	47	1941240	Open bearing support	1				
16	820490	O-Ring	3	48	1941220	O-Ring	3				
17	1940570	Nut	3	49	1949200	Pump head assem Ø20	○□● 1				
18	1940580	Washer	3		1949202	Pump head assem Ø20	▼ 1				
19	1420430	Piston Ø20	○□▼● 3		1949203	Pump head assem Ø22	◆ 1				
	1420120	Piston Ø22	◆ 3	50	1941270	Oil indicator	1				
20	8880840	O-Ring	3	51	100410	O-Ring	1				
21	960460	Spacer	3	52	1941260	Disc	1				
22	1940120	Ring	3	53	1941290	Snap ring	1				
23	1940070	Guiding piston	3								
24	1940060	Piston pin	3								
25	1941380	O-Ring	3								
26	1941390	0,05 mm shim	1-3								
	1941400	0,10 mm shim	1-3								
	1941410	0,19 mm shim	1-3								
	1941420	0,25 mm shim	1-3								
27	1949011	Complete side cover	1								
28	850370	Screw	8								
29	1140410	Bearing	2								
30	1940050	Con rod	3								

Legend

Code	Description	Qty.
Kit 2782 Ø20	Water Seal	
Kit 2783 Ø22	Water Seal	
Kit 2784 Ø20	Support Rings	
Kit 2785 Ø22	Support Rings	
Pos. Qty.	Pos. Qty.	Pos. Qty.
12 3	5 6	17 3
14 3	6 6	18 3
16 3		19 3
48 3		20 3
		21 3
		22 3

Repair Kits

Code	Description	Qty.
Kit 2542 Ø20	Pistons	
Kit 2543 Ø22	Pistons	
Kit 2781	Oil Seals	
Pos. Qty.	Pos. Qty.	Pos. Qty.
17 3	25 3	37 1
18 3	37 1	42 1
19 3	42 1	43 3
20 3	43 3	

Special Parts

Code	Description	Qty.
2778	Viton water seals Ø20	1
2779	Viton water seals Ø22	1

